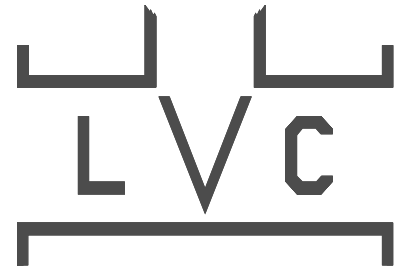
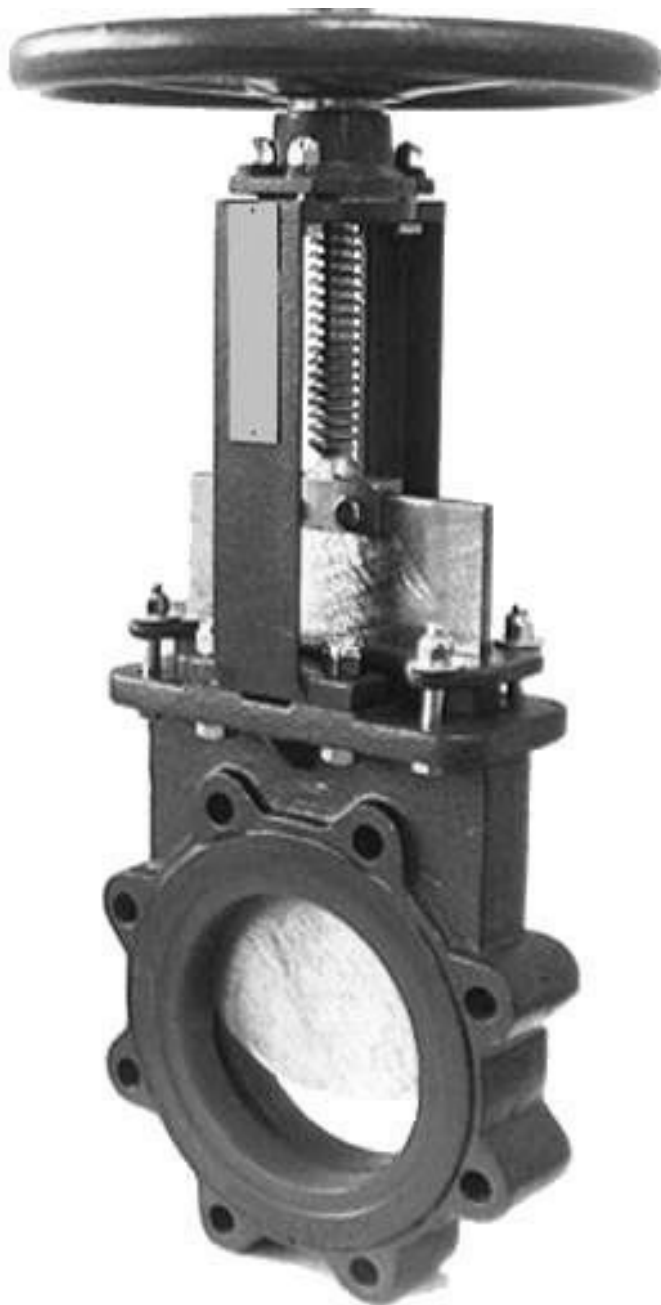


LINED VALVE COMPANY, INC.

FIGURE 65 URETHANE LINED KNIFE GATE VALVE



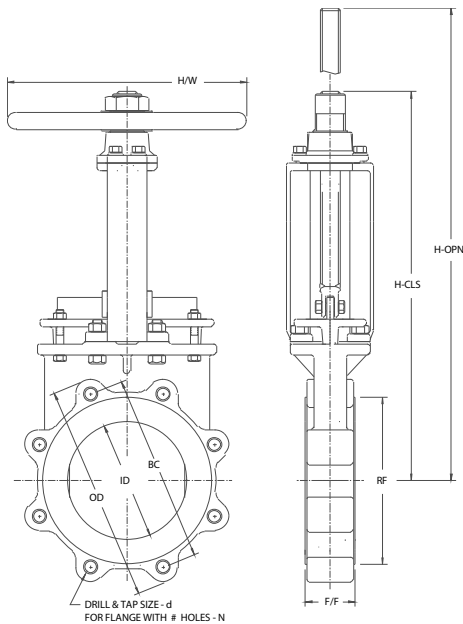
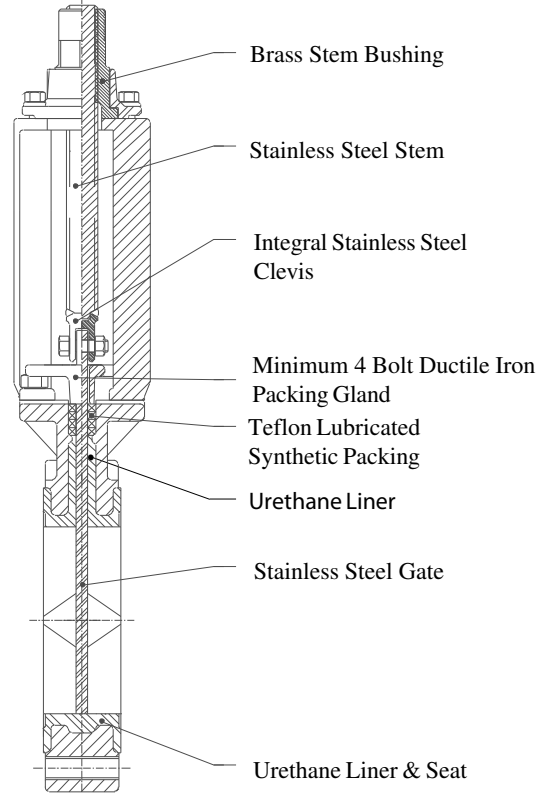
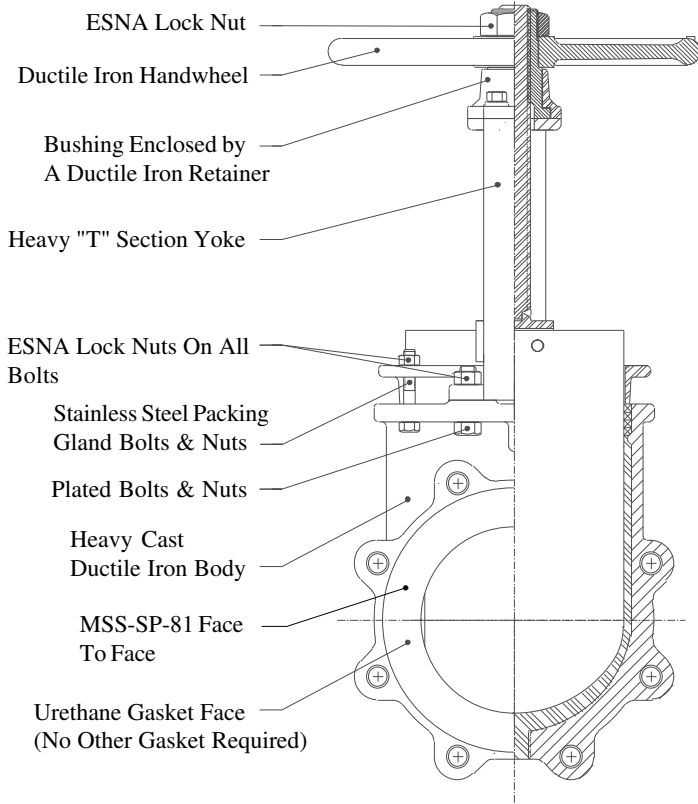
FEATURES



- **HEAVY DUTY** cast ductile iron body and yoke for the most rugged service.
- Lug body design.
- **URETHANE LINER** and seat provides a **BI-DIRECTIONAL BUBBLE TIGHT SEAL** across gate from 0 to 150 PSI.
- **SEAT IS FLUSH** with the bottom of the port **ELIMINATING** any pockets in the bottom of the Valve to collect material in media such as slurries, pellets or powders.
- **URETHANE LINER** is a one piece molded in place full body liner.
- Urethane liner can be replaced by the manufacturer.
- **STAINLESS STEEL GATE** for corrosion resistance and durability.
- **STAINLESS STEEL STEM** for corrosion resistance.
- **EASY CONVERSION** from handwheel operator to cylinder, bevel gear or electric motor operator using cast yoke.
- **ENCLOSED BRASS STEM BUSHING** provides reduced operating torque and protection of the stem bushing from harsh environments.
- **FULL PACKING SEAL** around gate to minimize packing leakage.
- **MSS-SP-81** face to face dimension and flange dimensions.
- **FULL PORT ID.**
- Minimum **4 BOLT PACKING GLAND** to assure proper gland alignment in all sizes.
- Time proven **TOWNIPRENE** urethane liner for the best abrasion resistance in tough applications.

LINED VALVE COMPANY, INC.
URETHANE LINED KNIFE GATE VAL

VE - FIG 65



DIMENSIONS AND WEIGHTS:

	VALVE SIZE										
	3"	4"	6"	8"	10"	12"	14"	16"	18"	20"	24"
ID	3"	4"	6"	8"	10"	12"	13 1/4"	15 1/4"	17 1/4"	19 1/4"	23 1/4"
F/F	2"	2"	2 1/4"	2 3/4"	2 3/4"	3"	3"	3 1/2"	3 1/2"	4 1/2"	4 1/2"
BC	6"	7 1/2"	9 1/2"	11 3/4"	14 1/4"	17"	18 3/4"	21 1/4"	22 3/4"	25"	29 1/2"
RF	5"	6 3/16"	8 1/2"	10 5/8"	12 3/4"	15"	16 1/4"	18 1/2"	21"	23"	27 1/4"
OD	7 1/2"	9"	11"	13 1/2"	16"	19"	21"	23 1/2"	25"	27 1/2"	32"
N	4	8	8	8	12	12	12	16	16	20	20
d	5/8"-11	5/8"-11	3/4"-10	3/4"-10	7/8"-9	7/8"-9	1"-8	1"-8	1 1/8"-7	1 1/8"-7	1 1/4"-7
H/W	8"	12"	12"	16"	16"	16"	24"	24"	24"	24"	24"
H-CLC	14 1/4"	16 1/4"	20 1/8"	24 1/4"	28 1/2"	34 1/2"	40"	41"	47"	51 3/4"	58 3/4"
H-OPN	17 1/2"	20 1/2"	26 1/2"	32 1/2"	38 3/4"	47"	54 1/4"	56 1/4"	64"	72 1/4"	82 1/4"
WEIGHT	29	46	75	118	180	295	345	320	545	805	1,150

MATERIALS:

COMPONENT	MATERIAL
BODY	DUCTILE IRON WITH URETHANE LINER
GATE	STAINLESS STEEL
PACKING GLAND	DUCTILE IRON
SEAT	URETHANE
YOKE & RETAINER	DUCTILE IRON
STEM & CLEVIS	STAINLESS STEEL
STEM BUSHING	BRASS
BOL TING	PLATED STEEL
PACKING	TFE/SYNTHETIC