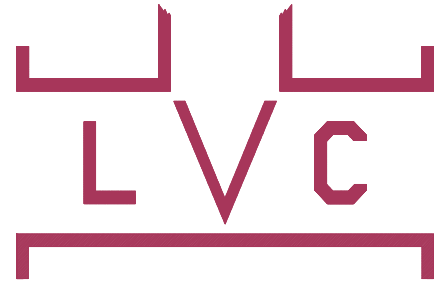


# LINED VALVE COMPANY, INC.

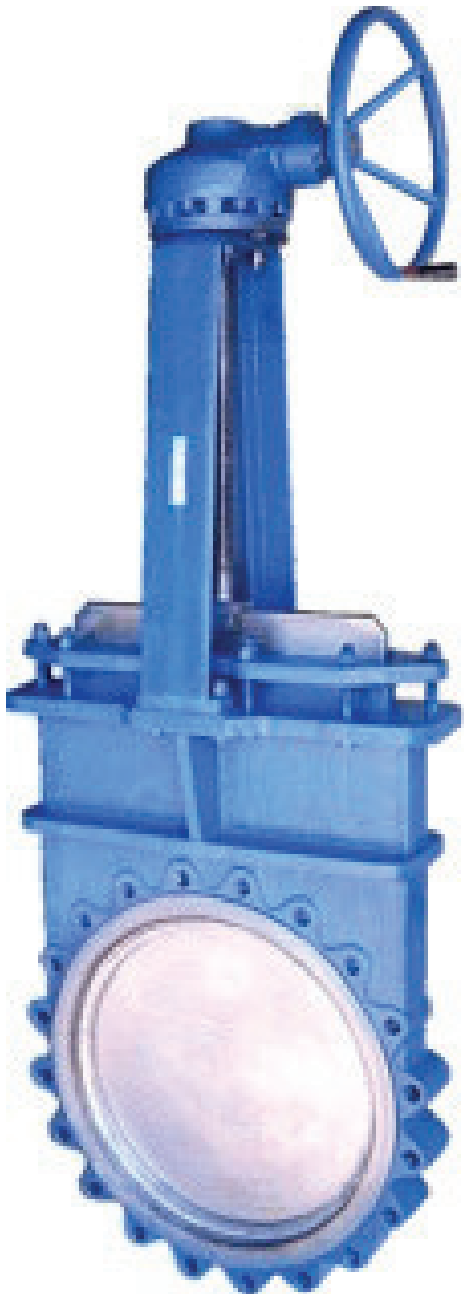
---

## Ductile Iron Stainless Steel Lined Knife Gate Valve Resilient & Metal Seated



---

## FEATURES



- Offered as both the **L93** and **L77** styles.
- **HEAVY DUTY** cast ductile iron body, packing gland and yoke.
- **Stainless steel liner** available in any weldable alloy.
- **Heavy duty lug designed body** to resist deflection from line loads and internal pressure.
- **Gate designed to** withstand **full 150 PSI** rated pressure as required by **MSS-SP-81**.
- **Metal seat for uni-directional shut off.**
- **Resilient seat for bi-directional drip tight shut off.**
- **Resilient seat replacement is quick and easy.**
- **Heavy duty cast ductile iron yoke** will not bend or twist under loads.
- **Easy conversion** from handwheel operator to cylinder, bevel gear or electric motor using flat top cast yoke.
- **Enclosed brass stem bushing** provides reduced operating torque and protection of the stem bushing from harsh environments.
- **Precision machined stainless steel gate** for superior seating capability.
- **Stainless steel stem** for corrosion resistance.
- **Designed and tested to MSS-SP-81** dimensions and specifications.
- **TFE lubricated synthetic packing (TLSP)** rated for 400 degrees F with a PH range of 3-11
- Available in sizes **14" - 24"**

# LINED VALVE COMPANY, INC.

## DUCTILE IRON BODY, STAINLESS STEEL LINED KNIFE GATE VALVE

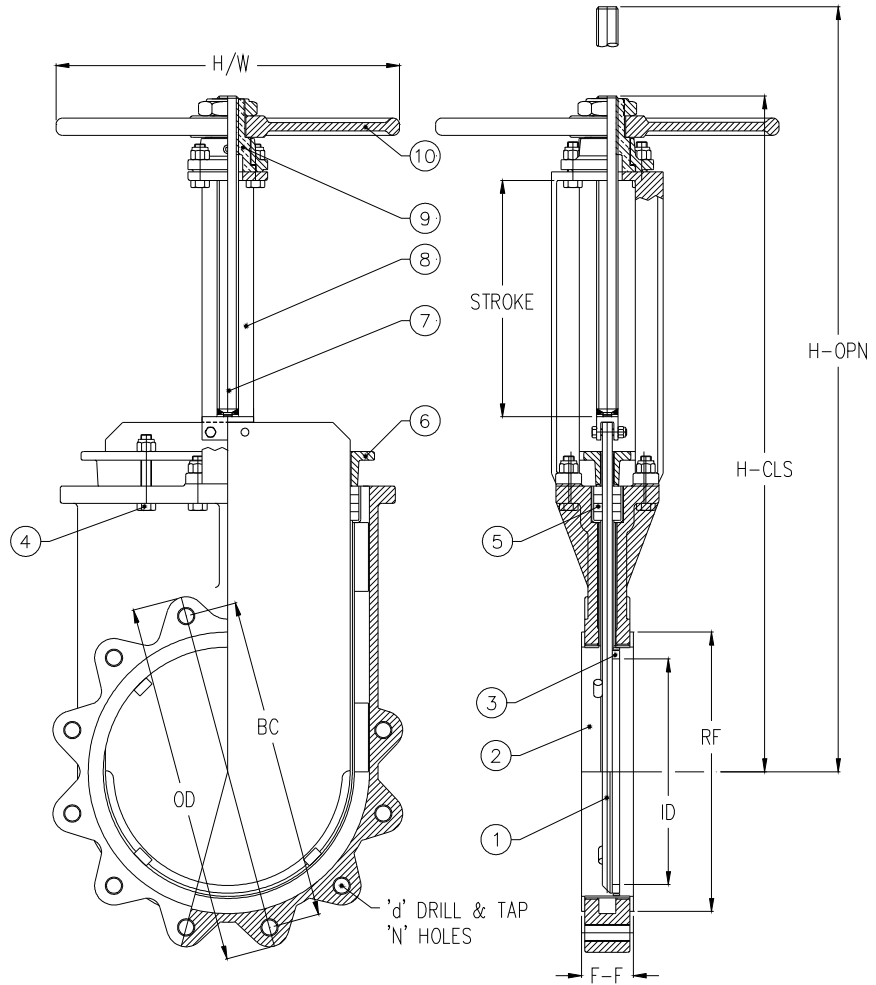
### MATERIALS OF CONSTRUCTION

MODEL	93	77
1 GATE	SS	SS
2 LINER	SS	SS
3 SEAT	SS	HYCAR**
4 BOLTS	---PLATED---	
5 PACKING	---TLSP*---	
6 GLAND	DI	DI
7 STEM	SS	SS
8 YOKE	DI	DI
9 STEM NUT	---BRASS---	
10 HANDWHEEL	DI	DI
11 BODY	DI	DI

\*TLSP = TFE Lubricated Synthetic Packing.  
 \*\*EPDM, Neoprene, Viton and others available.

SS = Standard with 304 or 316 stainless steel other alloys available.

Normally supplied with handwheel for manual operation, but can be modified for chainwheel, bevel gear, electric motor, hydraulic cylinder, pneumatic cylinder, or spring return cylinder actuators.



### DIMENSIONS (INCHES) AND WEIGHTS

SIZE		14"		16"		18"		20"		24"	
		L93	L77	L93	L77	L93	L77	L93	L77	L93	L77
FACE TO FACE	F-F	3"		3-1/2"		3-1/2"		4-1/2"		4-1/2"	
FLANGE OD	OD	21"		23-1/2"		25"		27-1/2"		32"	
BOLT CIRCLE	BC	18-3/4"		21-1/4"		22-3/4"		25"		29-1/2"	
INSIDE DIAMETER	ID	13-1/8"	14-1/4"	14-7/8"	15-7/8"	16-3/8"	17-3/4"	18"	19-3/4"	22"	23-3/4"
NUMBER OF HOLES	N	12		16		16		20		20	
HOLE D&T SIZE	d	1" NC		1" NC		1-1/8" NC		1-1/8" NC		1-1/4" NC	
C/L TO TOP-CLOSED	H	39-1/4"	41-1/4"	43-1/4"	45-3/8"	48"	50"	53-1/8"	55-7/8"	61-5/8"	63-1/2"
C/L TO POP-OPEN	H	52-5/8"	55-1/4"	58-3/4"	61-1/2"	65-1/2"	68"	72-1/8"	75-5/8"	84-3/4"	84-1/2"
HANDWHEEL DIA	H/W	20"		20"		20"		24"		24"	
WEIGHT - LBS.		360		495		565		790		1015	