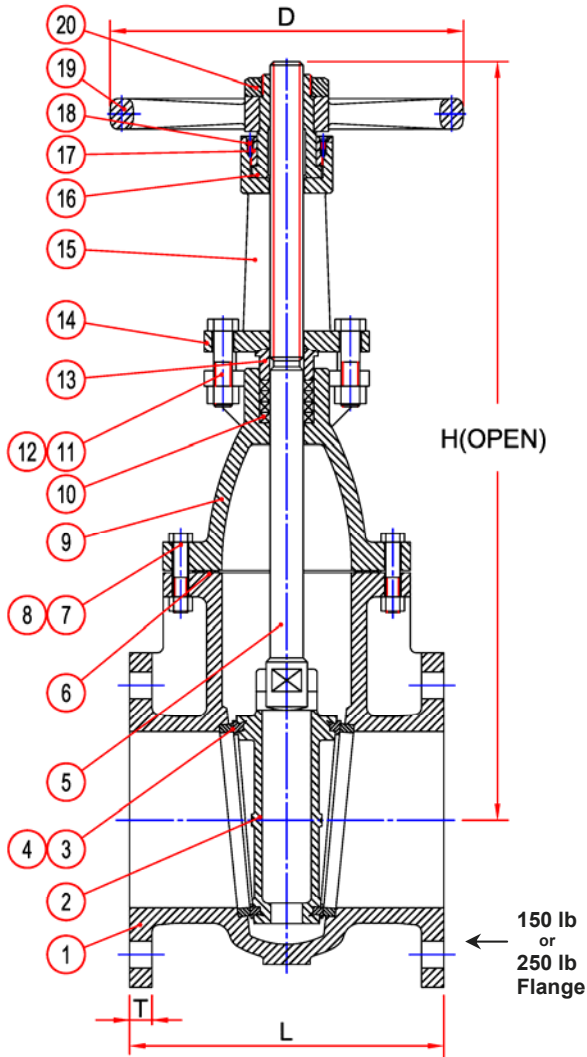


Metal Seated Gate Valve - Series 3700

AWWA C500 ▪ OS&Y Type ▪ FL x FL ▪ Sizes 2" - 16"



No.	Part Name	Materials
1	Body	Ductile Iron ASTM A536 65-45-12
2	Wedge	Ductile Iron ASTM A536 65-45-12
3	Body Seat	Bronze ASTM B62 (85-5-5-5)
4	Seat	Bronze ASTM B62 (85-5-5-5)
5	Stem	Bronze or Stainless Steel
6	Gasket	Stainless Steel AISI 304
7	Bolt	Stainless Steel AISI 304
8	Nut	Stainless Steel AISI 304
9	Bonnet	Ductile Iron ASTM A536 65-45-12
10	Packing	Graphite Non Asbestos
11	Bolt	Stainless Steel AISI 304
12	Nut	Stainless Steel AISI 304
13	Gland	Brass ASTM B16
14	Gland Follower	Ductile Iron ASTM A536 65-45-12
15	Yoke	Ductile Iron ASTM A536 65-45-12
16	Stem Nut	Aluminum Bronze
17	Yoke Bushing Nut	Brass ASTM B16
18	Screw	Stainless Steel AISI 304
19	Handwheel	Ductile Iron ASTM A536 65-45-12
20	Handwheel Nut	Stainless Steel

Features:

- Design and Materials Exceed AWWA C500.
- Flanges Conform to ANSI B16.1, Class 150, (ANSI B16.2, Class 250, Available).
- Bronze or Stainless Steel Stem.
- Working Pressure - ANSI Class 150 (ANSI Class 250, Available).
- Working Temperature: 14°F to 250°F.
- Handwheel or Automatic Actuators, Available.

Dimensions:

Size	Model	L	H (Open)	D	T 150	T 250	Approx. Weight
2"	3702	7"	16"	7"	5/8"	7/8"	47#
3"	3703	8"	19"	7 1/2"	3/4"	1 1/8"	60#
4"	3704	9"	25"	10"	1"	1 1/4"	97#
6"	3706	10 1/2"	33"	12"	1"	1 1/2"	161#
8"	3708	11 1/2"	43 1/2"	14"	1 1/8"	1 5/8"	229#
10"	3710	13"	48"	16"	1 1/4"	1 7/8"	388#
12"	3712	14"	54"	18"	1 1/4"	2"	611#
14"	3714	15"	63"	20"	1 5/8"	2 1/8"	749#
16"	3716	16"	75"	22"	1 1/2"	2 1/4"	1,148#