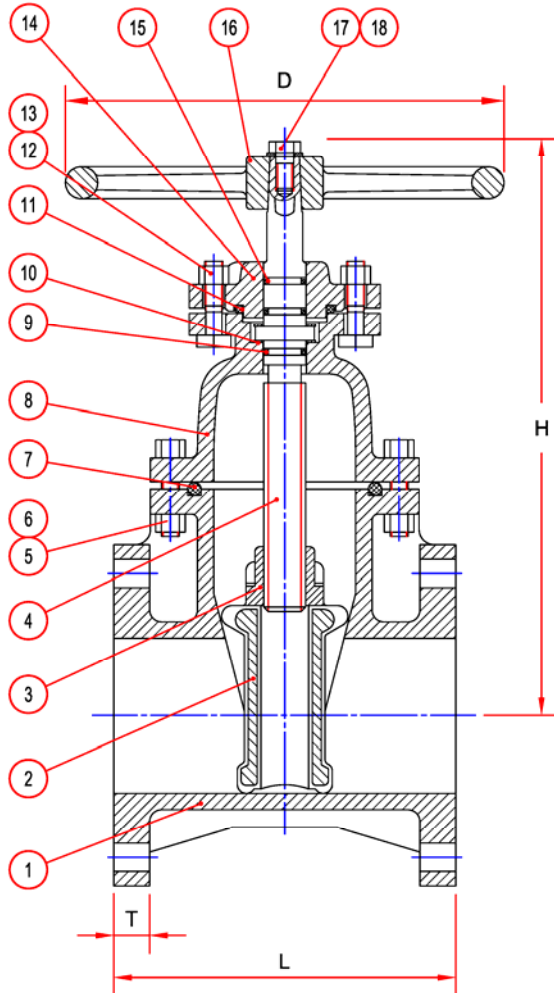


Resilient Seated Solid Wedge Gate Valve - Series 6800

AWWA C509 & C515 ▪ NRS Type ▪ FL x FL ▪ Sizes 2" - 16"



| No. | Part Name | Materials |
|-----|-----------------------|------------------------------------|
| 1 | Body | Ductile Iron ASTM A536 65-45-12 |
| 2 | Wedge | Ductile Iron EPDM Encapsulated |
| 3 | Stem Nut | Aluminum Bronze |
| 4 | Stem | Bronze or Stainless Steel |
| 5 | O-Ring Gasket | EPDM |
| 6 | Bolt | Stainless Steel AISI 304 |
| 7 | Nut | Stainless Steel AISI 304 |
| 8 | Bonnet | Ductile Iron ASTM A536 65-45-12 |
| 9 | O-Ring | EPDM |
| 10 | Thrust Thrust Bearing | Copper ASTM B16 |
| 11 | O-Ring | EPDM |
| 12 | Gland | Ductile Iron ASTM A536 65-45-12 |
| 13 | Bolt | Stainless Steel AISI 304 |
| 14 | Nut | Stainless Steel AISI 304 |
| 15 | O-Ring | EPDM |
| 16 | Handwheel | Ductile Iron ASTM A536 65-45-12 |
| 17 | Bolt | Stainless Steel AISI 304 |
| 18 | Washers | Stainless Steel AISI 304 |

Features:

- Design and Materials Exceed AWWA C509, C515 & C550.
- Flanges Conform to ANSI B16.1, Class 150.
- 4"-12", Available with ANSI B16.2, Class 250, Flanges.
- Ductile Iron: Body, Bonnet, Wedge, and Gland.
- Fusion Bonded Epoxy Coatings 12 Mils In and Out per AWWA C550.*
- Stainless Steel Nuts, Bolts, and Washers.
- Bronze or Stainless Steel Stem.
- Ductile Iron, EPDM Encapsulated Wedge.
- EPDM Gaskets and O-Rings.
- 250 PSI Working Pressure.
- Working Temperature: EPDM 33°F to 248°F.
- 2" Ductile Iron AWWA Nut, Ductile Iron Handwheel or Automatic Actuators Available.

Dimensions:

| Size | Model | L | H | D | T | Approx. Weight |
|---------------------------------|-------|----------------------------------|----------------------------------|----------------------------------|---------------------------------|----------------|
| 2" | 6802 | 7" | 9 ⁵ / ₈ " | 7 ¹ / ₄ " | 5 ⁵ / ₈ " | 49# |
| 2 ¹ / ₂ " | 6825 | 7 ¹ / ₂ " | 11" | 7 ¹ / ₄ " | 3 ³ / ₄ " | 51# |
| 3" | 6803 | 8" | 13 ¹ / ₂ " | 10" | 3 ³ / ₄ " | 65# |
| 4" | 6804 | 9" | 15 ¹ / ₂ " | 10" | 1" | 99# |
| 5" | 6805 | 10" | 16 ¹ / ₂ " | 12" | 1" | 143# |
| 6" | 6806 | 10 ¹ / ₂ " | 18 ¹ / ₄ " | 12" | 1" | 154# |
| 8" | 6808 | 11 ¹ / ₂ " | 22 ¹ / ₂ " | 14" | 1 ¹ / ₈ " | 229# |
| 10" | 6810 | 13" | 25 ¹ / ₂ " | 17 ¹ / ₂ " | 1 ¹ / ₄ " | 372# |
| 12" | 6812 | 14" | 30 ¹ / ₂ " | 17 ¹ / ₂ " | 1 ¹ / ₄ " | 588# |
| 14" | 6814 | 15" | 34" | 21" | 1 ³ / ₈ " | 756# |
| 16" | 6816 | 16" | 40 ⁷ / ₈ " | 21" | 1 ¹ / ₂ " | 1,212# |