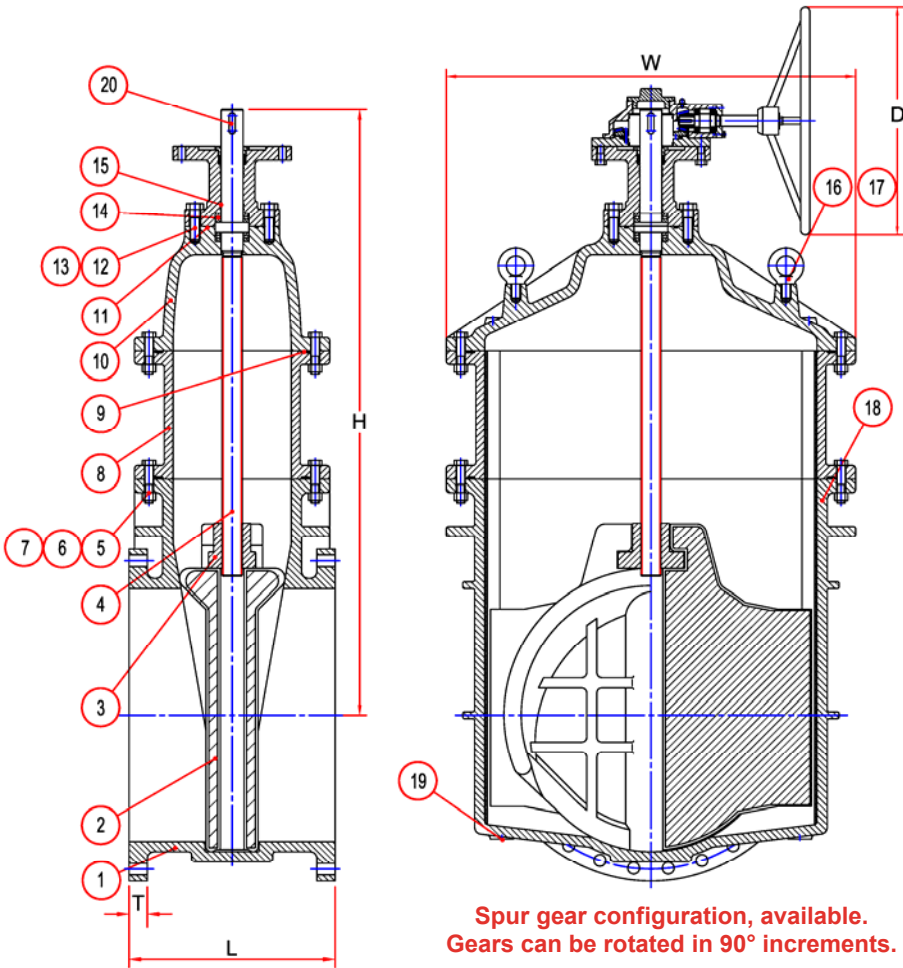


Resilient Seated Solid Wedge Gate Valve with Bevel Gear Operator - Series 6800

AWWA C509 & C515 ▪ NRS Type ▪ FL x FL ▪ Sizes 30"- 48"



No.	Part Name	Materials
1	Body	Ductile Iron ASTM A536 65-45-12
2	Wedge	Ductile Iron EPDM Encapsulated
3	Stem Nut	Aluminum Bronze
4	Stem	Bronze or Stainless Steel
5	Bolt	Stainless Steel AISI 304
6	Nut	Stainless Steel AISI 304
7	Washers	Stainless Steel AISI 304
8	Bonnet Adapter	Ductile Iron ASTM A536 65-45-12
9	O-Ring Gasket	EPDM
10	Bonnet	Ductile Iron ASTM A536 65-45-12
11	O-Ring	EPDM
12	Bolt	Stainless Steel AISI 304
13	Nut	Stainless Steel AISI 304
14	Thrust Bear- ing	Copper ASTM B16
15	O-Ring	EPDM
16	Eye Bolt	Carbon Steel, Zinc Plated
17	Washer	Carbon Steel, Zinc Plated
18	Track	Stainless Steel ANSI 316
19	Plug	Brass ASTM B16
20	Key	Carbon Steel AISI 1045

Features:

- Design and Materials Exceed AWWA C509, C515 & C550.
- Flanges Conform to ANSI B16.1, Class 150.
- Ductile Iron: Body, Bonnet, Wedge, and Gland.
- Fusion Bonded Epoxy Coatings 12 Mils In and Out per AWWA C550.*
- Stainless Steel Nuts, Bolts, and Washers.
- Bronze or Stainless Steel Stem.
- Ductile Iron EPDM Encapsulated Wedge.
- EPDM Gaskets and O-Rings.
- 250 PSI Working Pressure.
- Working Temperature: EPDM 33°F to 248°F.
- Available with Bypass.
- 2" AWWA Ductile Iron Nut, Ductile Iron Handwheel or Automatic Actuators Available.

Dimensions:

Size	Model	L	H	W	T	D	Approx. Weight
30"	6830	24"	70"	47¾"	2⅞"	23⅝"	5,444#
36"	6836	28"	81"	54¼"	2⅝"	23⅝"	8,694#
42"	6842	36"	86½"	66¾"	2⅝"	23⅝"	15,358#
48"	6848	44"	96"	75½"	2¾"	23⅝"	21,567#