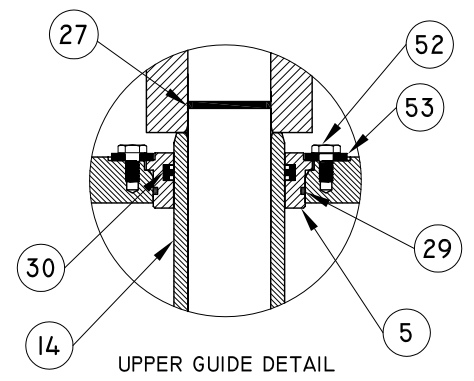
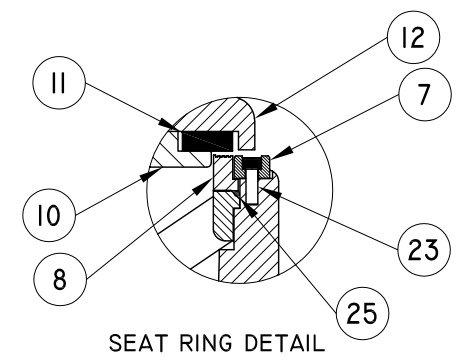


OPTIONAL LIMIT SWITCH



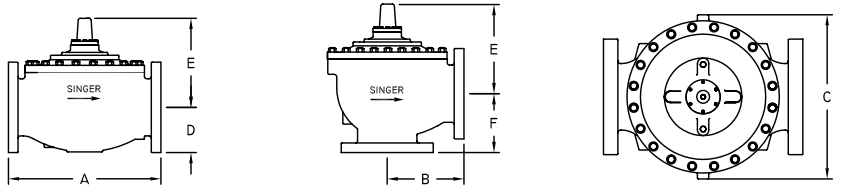
UPPER GUIDE DETAIL



SEAT RING DETAIL

# DOUBLE CHAMBER MAIN VALVE

SIZES 10" TO 16" (250MM TO 400MM) S106-PT & SA106-PT  
 SIZES 12" TO 24" (300MM TO 600MM) S206-PT



## SINGER VALVE

*Result-Based Solutions. Globally.*

www.singervalve.com 12850-87th Avenue, Surrey, B.C. V3W 3H9

Drawn By: <b>Scott Grover</b>	Approved By: <b>Kari Oksanen</b>
Date: <b>April 26, 2006</b>	Drawing: <b>A0898A</b>
<b>Model S106-PT, SA106-PT &amp; S206-PT</b>	

### Material Specifications & Dimensions

 10"-16" (250mm-400mm) S106-PT & SA106-PT  
 12"-24" (300mm-600mm) S206-PT  
 For Drawing A0898A

Item	Part Name	Material	Item	Part Name	Material
1	Body	Ductile Iron	23	Retaining Screw	Stainless Steel
2	Bonnet	Ductile Iron	25 **	Seat Ring Seal	Buna-N
3	Floor Plate Adaptor	Ductile Iron	26 **	Top Cover Seal	Buna-N
4	Top Cover	Ductile Iron	27 **	Stem Seal	Buna-N
5	Upper Guide	Bronze	28 **	Floor Plate Seal	Buna-N
6	Seat Ring Washer	Stainless Steel	29 **	Upper Guide Seal	Buna-N
7	Bottom Guide	Ductile Iron & Bronze	30 **	Stem Seal	Buna-N
8	Seat Ring	Stainless Steel	32	Clamp Plate Screws	Stainless Steel
9	Stem	Stainless Steel	33	Locating Pins	Steel
10	Disc Retainer	Cast Iron	34	Eye Bolt	Steel
11 **	Resilient Disc	EPDM	46	Diaphragm	EPDM
12	Inner Valve	Cast Iron	52	Upper Guide Screw	Stainless Steel
13	Piston	Ductile Iron	53	Upper Guide Washer	Stainless Steel
14	Stem Sleeve	Stainless Steel	56/57/58	Bonnet Stud/Nut/Washer	Stainless Steel
15	Clamp Plate	Ductile Iron			
17	Stem Nut	Brass ASTM			
20/54	Body Bolts/Nuts/Washers	Stainless Steel			
22/55	Top Cover Screw/Washer	Stainless Steel			

\*\* Recommended spare parts (included in the Rebuild Kit)

S106-PT & SA106-PT		Globe			Globe & Ang	Angle		
		A	D	E	C	B	E	F
10" 250mm	150F / PN10, PN16	29.75"	8.56"	22.63"	22.13"	11.50"	19.34"	12.50"
	300F / PN25, PN40	756mm	217mm	575mm	562mm	292mm	491mm	318mm
12" 300mm	150F / PN10, PN16	31.12"	9.56"	22.63"	22.13"	12.19"	19.34"	13.19"
	300F / PN25, PN40	790mm	243mm	575mm	562mm	310mm	491mm	335mm
14" 350mm	150F / PN10, PN16	34"	9.50"	27"	26"	13.75"	24"	12.50"
	300F / PN25, PN40	864mm	241mm	686mm	660mm	349mm	610mm	318mm
16" 400mm	150F / PN10, PN16	35.50"	10.25"	27"	26"	14.50"	24"	13.25"
	300F / PN25, PN40	902mm	260mm	686mm	660mm	368mm	610mm	337mm
18" 450mm	150F / PN10, PN16	31"	10.50"	27"	26"	-	-	-
	300F / PN25, PN40	787mm	267mm	686mm	660mm	-	-	-
20" 500mm	150F / PN10, PN16	32.50"	11.50"	27"	26"	-	-	-
	300F / PN25, PN40	826mm	292mm	686mm	660mm	-	-	-
24" 600mm	150F / PN10, PN16	41.38"	11.75"	32.50"	32"	18"	29.50"	15.69"
	300F / PN25, PN40	1051mm	298mm	826mm	813mm	457mm	749mm	399mm
300F / PN25, PN40		43.50"	12.75"	32.50"	32"	18.81"	29.50"	16.50"
		1105mm	324mm	826mm	813mm	478mm	749mm	419mm

S206-PT		Globe			Globe & Ang	Angle		
		A	D	E	C	B	E	F
12" 300mm	150F / PN10, PN16	27.50"	9.50"	22.63"	22.12"	-	-	-
	300F / PN25, PN40	699mm	241mm	575mm	562mm	-	-	-
16" 400mm	150F / PN10, PN16	29"	10.50"	22.63"	22.12"	-	-	-
	300F / PN25, PN40	737mm	267mm	575mm	562mm	-	-	-
18" 450mm	150F / PN10, PN16	36"	11.75"	27"	26"	-	-	-
	300F / PN25, PN40	914mm	298mm	686mm	660mm	-	-	-
20" 500mm	150F / PN10, PN16	37.63"	12.75"	27"	26"	-	-	-
	300F / PN25, PN40	956mm	324mm	686mm	660mm	-	-	-
24" 600mm	150F / PN10, PN16	42"	12.50"	32.38"	30.31"	-	-	-
	300F / PN25, PN40	1067mm	318mm	822mm	770mm	-	-	-
300F / PN25, PN40		43.63"	14"	32.38"	30.31"	-	-	-
		1108mm	356mm	822mm	770mm	-	-	-
300F / PN25, PN40		45"	13.75"	32.38"	30.50"	-	-	-
		1143mm	349mm	822mm	775mm	-	-	-
300F / PN25, PN40		46.38"	15.25"	32.38"	30.50"	-	-	-
		1178mm	387mm	822mm	775mm	-	-	-
300F / PN25, PN40		50.50"	16"	32.38"	36"	-	-	-
		1283mm	406mm	822mm	914mm	-	-	-
300F / PN25, PN40		52.25"	18"	32.38"	36"	-	-	-
		1327mm	457mm	822mm	914mm	-	-	-