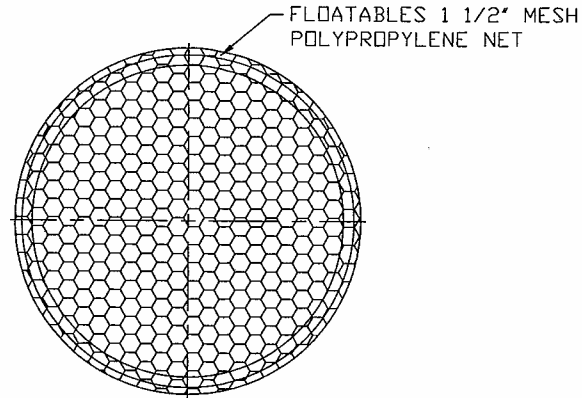
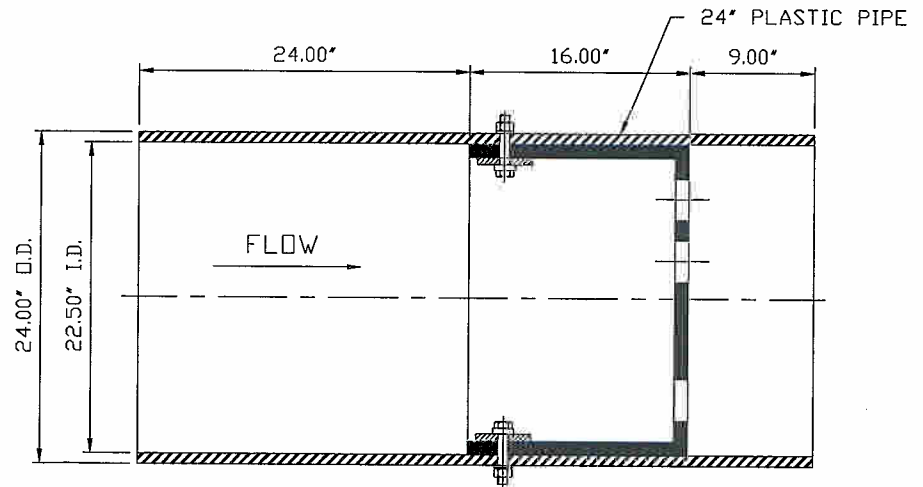
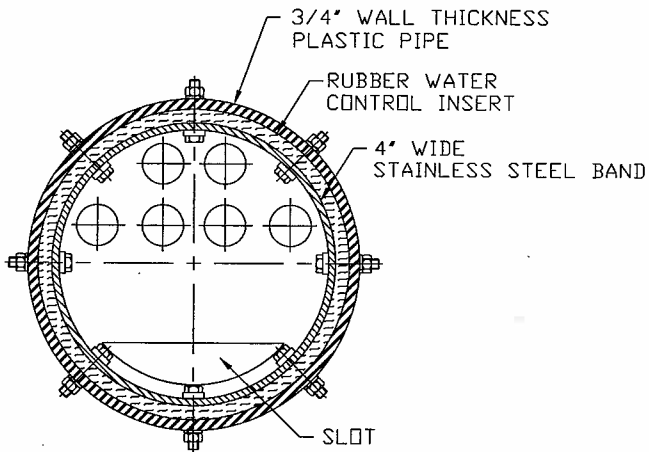



**SPIROS G. RAFTIS**  
**INVENTOR**  
 9-6-05



OPTIONAL



THIS DOCUMENT CONTAINS PROPRIETARY INFORMATION OF RED VALVE COMPANY, INC. IT IS LOANED BY RED VALVE COMPANY, INC. SUBJECT TO THE CONDITIONS THAT IT AND THE INFORMATION EMBODIED THEREIN SHALL BE USED ONLY FOR RECORD AND REFERENCE PURPOSES. IT SHALL NOT BE USED OR CAUSED TO BE USED IN ANY WAY PREJUDICIAL TO THE INTERESTS OF RED VALVE CO. IT SHALL NOT BE REPRODUCED OR COPIED IN WHOLE OR PART, OR DISCLOSED TO ANYONE WITHOUT THE DIRECT WRITTEN PERMISSION OF RED VALVE COMPANY, INC., AND SHALL BE RETURNED

		<b>RED VALVE COMPANY, INC.</b> CARNEGIE, PA. 15106	
<b>24" HIGHWAY UNDERPASS FIRST FLUSH VALVE</b>			
DWG. BY: EJM	DATE: 9/6/05	CHKD. BY:	DATE:
CAD SCALE: NTS	FILE NAME: RS30475	REV	
PLOT SCALE: NTS	DWG. NO: RS30475		