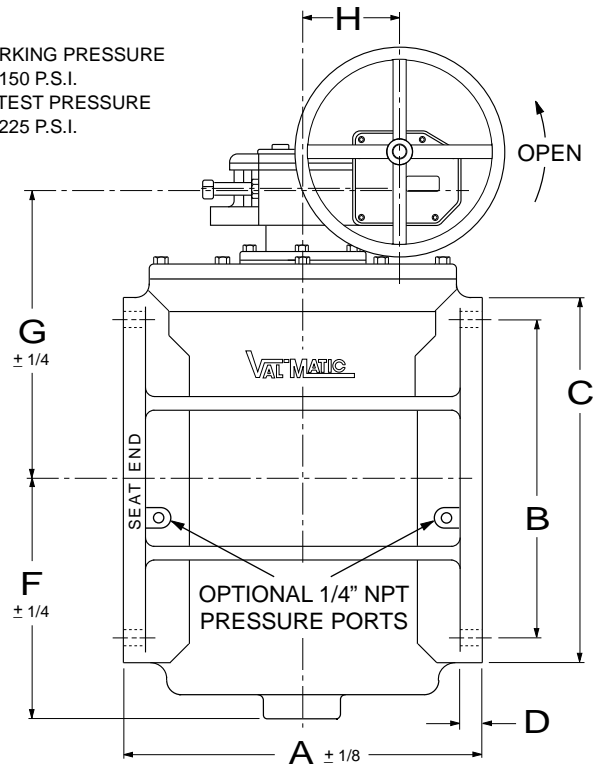


COLD WORKING PRESSURE
150 P.S.I.
HYDRO TEST PRESSURE
225 P.S.I.



SEE DRAWING NO. VM-5804RN-M FOR STANDARD MATERIALS OF CONSTRUCTION.

* ASTERISK INDICATES VALVE MODEL NUMBERS W/O SPUR GEAR.

VALVE SIZE	MODEL NO.	PRESS. RATING P.S.I.		HD. WHEEL DIA.	A	B	C	D	E	F	G	H	J	K	BOLT SIZE	NO. OF BOLTS	
		REVERSE	DIRECT														
14	5814R/7E18*	50	100	18	17	18 3/4	21	1 3/8	4	13	19 5/16	5 5/8	22	15 1/4	1	12	
	5814R/7F24*	100	150	24							19 5/16	5 5/8	22	17 1/8			
	5814R/7G12	150	150	12							21 1/4	9 11/16	23 5/16	14			
16	5816R/7E24*	50	100	24	17 3/4	21 1/4	23 1/2	1 7/16	8	14 1/2	20 5/8	5 5/8	23 5/16	17 1/8	1	16	
	5816R/7F30*	100	150	30							20 5/8	5 5/8	23 5/16	18 5/8			
	5816R/7G14	150	150	14							22 9/16	9 11/16	24 5/8	14 5/8			
18	5818R/7J30*	50	100	30	21 1/2	22 3/4	25	1 9/16	8	16 1/4	22 1/4	5 5/8	24 15/16	18 5/8	1 1/8	16	
	5818R/7K18	100	150	18							25 1/8	7 3/8	25 1/4	19 1/4			
	5818R/7L24	150	150	24							7 3/8	25 1/4					
20	5820R/7M18	50	100	18	23 1/2	25	27 1/2	1 11/16	8	17 1/2	26 1/4	7 3/8	26 1/4	19	1 1/8	20	
	5820R/7N24	100	150	24									19 1/4	19 1/4			21 7/8
	5820R/7P30	150	150	30									21 7/8	21 7/8			23 1/4
24	5824R/7M24	50	100	24	30	29 1/2	32	1 7/8	8	20 1/4	29	7 3/8	29	19 1/4	1 1/4	20	
	5824R/7N30	100	150	30									21 7/8	21 7/8			23 1/4
	5824R/7P36	150	150	36									23 1/4	23 1/4			25 1/4
30	5830R/7R24	50	100	24	37 1/2	36	38 3/4	2 1/8	8	24	31	4 1/16	35 1/8	16 1/8	1 1/4	28	
	5830R/7S30	100	150	30									16 1/8	16 1/8			16 1/8
	5830R/7T36	150	150	36									16 1/8	16 1/8			16 1/8
36	5836R/7S30	50	100	30	52	42 3/4	46	2 3/8	12	29	31	4 1/16	35 1/8	16 1/8	1 1/2	32	
	5836R/7V24	100	150	24							32 1/4	10 1/2	37 1/4	23 1/2			
	5836R/7W30	150	150	30							32 1/4	10 1/2	37 1/4	23 1/2			

ANSI CLASS 125 CAM-CENTRIC® FLANGED PLUG VALVE WITH WORM GEAR ACTUATOR

DATE Revised 5-15-03
10-19-95



VALVE AND MANUFACTURING CORP.

DRWG. NO.

VM-5814R/WGA