

# Series 4700

## Lightweight Pinch Valve



Red Valve Company, Inc.

- ▶ Lightweight, economical design
- ▶ Body acts as built-in actuator
- ▶ Closes on entrapped solids
- ▶ Full ported design means no crevices or "dead spots" to bind valve operation
- ▶ No packing to maintain, ever



The Series 4700 Spun Aluminum Pinch Valve is designed for low pressure service, in control or on/off applications. The Series 4700 is similar to the Type A, but the body is constructed entirely of spun aluminum for weight savings and easy installation. The air actuated Series 4700 is ideal for O.E.M. accounts, Gravity Flow Applications, Pneumatic Conveying Systems and Waste Treatment Plants.

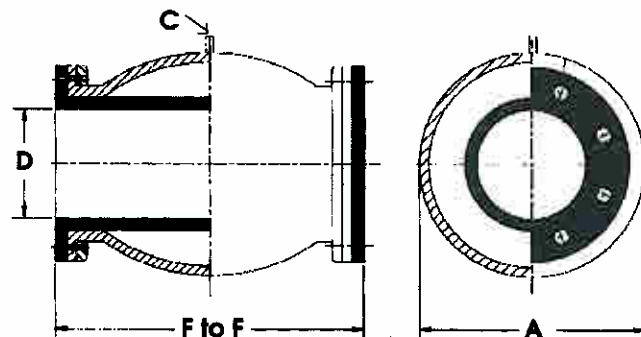
The Series 4700 Pinch Valve's unique design makes them the most cost effective, maintenance-free automatic valves available. The key to this valve is in the flexible reinforced rubber sleeve — the valve's only wetted part.

Actuation of the valve, the pinching action, is accomplished by air or hydraulic pressure placed upon the sleeve. The valve body acts as a built-in actuator, eliminating costly pneumatic, hydraulic or electric actuators. Adding air pressure within the annular space between the housing and sleeve can throttle, or close the valve. In general, 25 psi over line pressure is required for full closure.

The sleeve's flexibility allows the valve to close "drop tight" around entrapped solids, eliminating "hang ups" without ever damaging the valve itself. Back-up rings are required for the 4700, and can be supplied in galvanized or stainless steel.

### Materials of Construction

- ▶ **BODY**  
Spun Aluminum
- ▶ **SLEEVE MATERIAL**  
Pure Gum Rubber, Neoprene, Hypalon, Chlorobutyl, Buna-N, Viton and EPDM



DIMENSIONS SERIES 4700

| VALVE SIZE<br>D | LENGTH<br>F to F | BODY WIDTH<br>A | AIR INLET<br>(NPT)<br>C | WORKING PRESSURE<br>(psi) | WEIGHT ALUMINUM<br>(lbs) |
|-----------------|------------------|-----------------|-------------------------|---------------------------|--------------------------|
| 3"              | 8"               | 7-3/4"          | 1/4"                    | 125                       | 6                        |
| 4"              | 9"               | 9-1/4"          | 1/4"                    | 125                       | 7                        |
| 6"              | 12"              | 11-1/4"         | 1/2"                    | 100                       | 12                       |
| 8"              | 16"              | 13-3/4"         | 1/2"                    | 75                        | 25                       |
| 10"             | 30"              | 18"             | 1/2"                    | 50                        | 55                       |
| 12"             | 35-3/4"          | 20-1/4"         | 1/2"                    | 50                        | 66                       |