

# Type A Megaflex

- ▶ Cost-effective, large-diameter valve
- ▶ Body acts as built-in actuator
- ▶ Simple two-piece design: body and sleeve
- ▶ No packing or seats to maintain, ever
- ▶ Seals on solids
- ▶ Full-ported design eliminates headloss, reduces pumping costs



Because it eliminates costly actuators, the Type A Megaflex is the most economical large-diameter automatic valve available.

First introduced by Red Valve, the Type A Megaflex Valve is available in sizes 30" - 84" and is extremely simple in design and principle. As with every Red Valve Pinch Valve, the elastomer sleeve is the only wetted part, drastically reducing maintenance costs. The Megaflex Valve's full-ported actuation is accomplished by air or hydraulic pressure. The steel body acts as a built-in actuator, eliminating costly pneumatic, electric or hydraulic components. Pressure within the space between the body and the sleeve can open, throttle or close the valve. Unlike traditional gate and butterfly valve designs, there are no discs or gates to obstruct flow or create turbulence.

Like all Red Valve Pinch Valves, Megaflex Valves are full-ported. *Thousands of dollars of savings are realized* because Megaflex Valves have little headloss, substantially reducing pumping costs.

Type A Megaflex Valves are often specified as effluent discharge valves controlling raw sewage, storm overflow, flow equalization, tailings in mining operations and bulk material handling.

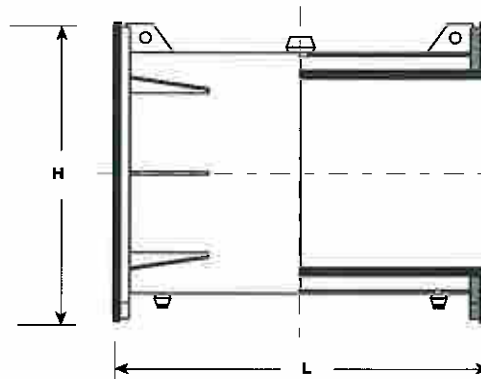
Red Valve also manufactures a line of large-diameter manually or electrically operated Pinch Valves in sizes 30" - 96".

## Materials of Construction

- ▶ Carbon steel body
- ▶ Sleeves available in Pure Gum Rubber, Neoprene, Hypalon®, Chlorobutyl, Buna-N, EPDM and Viton®
- ▶ ANSI Class 125/150



Large-diameter product brochure available.



**Megaflex**

VALVE SIZE	LENGTH L	HEIGHT H	WORKING PRESSURE psi*	WEIGHT lbs
30"	60"	40"	50	4,100
36"	72"	48"	50	5,000
48"	96"	60"	50	6,200
60"	120"	74"	50	7,900
72"	144"	87"	25	9,900
84"	168"	100"	25	10,500

\*Higher working pressures available.

Contact us for more information: Valve & Equipment Consultants, Inc. • Phone: 281-324-1500 • Email: [sales@valveandequipment.com](mailto:sales@valveandequipment.com)

Website: [www.ValveAndEquipment.com](http://www.ValveAndEquipment.com)