

Actuated Flexgate

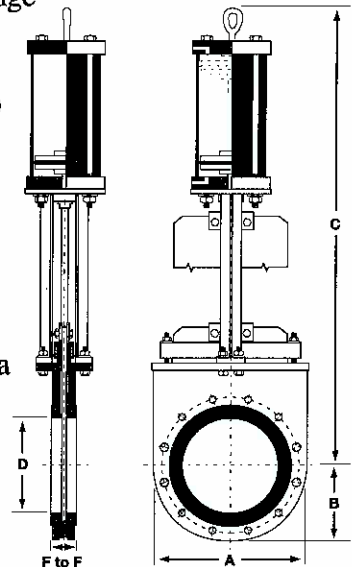


Red Valve's Flexgate Valves are available with pneumatic, electric or hydraulic actuators. Other options include limit switches, solenoids and air regulators.

The actuated Flexgate provides long-term abrasion resistance under high-cycle conditions. The valve self-cleans each time it is cycled and is ideal for automated operations.

Red Valve manufactures its pneumatic actuators using Black Amalgon, a fiberglass-reinforced epoxy resin. The actuator material is inert to most corrosive chemicals, hydraulic fluids, water and oil. It has an operating temperature range

from -90°F to 225°F and can withstand maximum working pressures of 250 psi. Inside actuator walls are polished and impregnated with molydisulfide for reduced friction and wear. The piston seal is a long-lasting O-ring. The piston rod is sealed with a lip seal, which is protected by a rod wiper ring. This wiper ring prevents dirt from being dragged through the seal.



Elastomer Slurry Sleeve Selection *

	Pure Gum Rubber	EPDM	Viton®	Buna-N
Continuous Temperature (°F)	165°	250°	300°	180°
Intermittent Temperature (°F)	185°	300°	400°	240°
Minimum Temperature (°F)	-60°	-60°	-10°	-40°
Abrasion Resistance	Excellent	Excellent	Good	Good

*Consult the Red Valve chemical compatibility charts for final selection.

Valve Size	Working Pressure						Plant Air (psi)
	25psi	50psi	75psi	100psi	125psi	150psi	
3"-4"	RD-4	RD-4	RD-4	RD-4	RD-4	RD-4	60
	RD-4	RD-4	RD-4	RD-4	RD-4	RD-4	80
6"	RD-4	RD-4	RD-4	RD-6	RD-6	RD-6	60
	RD-4	RD-4	RD-4	RD-4	RD-6	RD-6	80
8"	RD-4	RD-6	RD-6	RD-6	RD-6	RD-8	60
	RD-4	RD-4	RD-6	RD-6	RD-6	RD-6	80
10"	RD-6	RD-6	RD-8	RD-8	RD-8	RD-10	60
	RD-4	RD-6	RD-6	RD-6	RD-8	RD-8	80
12"	RD-6	RD-8	RD-8	RD-8	RD-10	RD-10	60
	RD-6	RD-6	RD-8	RD-8	RD-8	RD-10	80
14"	RD-6	RD-8	RD-8	RD-10	RD-10	RD-12	60
	RD-6	RD-6	RD-8	RD-8	RD-10	RD-10	80
16"	RD-6	RD-8	RD-10	RD-10	RD-12	RD-12	60
	RD-6	RD-8	RD-8	RD-10	RD-10	RD-12	80
18"	RD-8	RD-10	RD-10	RD-12	RD-14	RD-14	60
	RD-6	RD-8	RD-10	RD-10	RD-12	RD-12	80

Electric actuators recommended for valve sizes 20"-72".

Contact us for more information: Valve & Equipment Consultants, Inc. • Phone: 281-324-1500 • Email: sales@valveandequipment.com

Website: www.ValveAndEquipment.com